

At the heart of Europe offering excellent coverage

Sunward Europe Heavy Industry (Sunward Europe) was created in Belgium in 2015. Ideally located in Belgium, at the heart of Europe, Sunward Europe is just 45 minutes from Brussels International airport and 60 minutes from Antwerp's harbor, which enable us to ship equipment and spare parts throughout the Europe & Middle East region within 24 hours.

IDEAL LOCATION

- ▶ 45 minutes from Brussels Airport
- ▶ 60 minutes from Port of Antwerp



An extensive, adapted offer

Our wide range starts with excavators and loaders and extends to drilling rigs, cranes and aerial working platforms. And our Sunward Europe products are designed and tailored to suit the Europe & Middle East regional market. From Stage V engines produced by Yanmar or Kubota, to other key components sourced from best-in-class suppliers – including Bosch Rexroth, Perkins, Nachi, Eaton, Kayaba and Cummins – everything is designed and assembled to provide our customers with the best value for money and peace of mind.



Machines & Parts – Readily available

From its Tessenenderlo headquarters, SUNWARD Europe can ensure rapid delivery of machines and spare parts everywhere in Europe. Sunward machines and parts enjoy exceptional availability. Machines can be delivered very quickly from local dealers, and Sunward machine operators benefit from quick and easy access to a large parts distribution center in Beringen. SUNWARD Europe guarantees an availability rate of 95% for its spare parts.



PARTS CAN BE DELIVERED WITHIN 24 HOURS

Sunward has one or more dealers in each of these countries.

Please check our website for our current list of dealers.



SUNWARD EUROPE HEAVY INDUSTRY N.V.

✉ Havenlaan 1
B-3980 Tessenenderlo
Belgium

☎ +32 (0) 11 43 46 66
➤ info.eu@sunward.cc
🌐 www.sunward.eu

DEALER CONTACTS

Specifications may change and this brochure may not reflect the latest specifications. Photographs in this brochure may not reflect market configuration. Please consult your dealer to confirm specifications and configurations. All rights of this brochure are reserved to Sunward International Sales. Please consult the operator's manual before use of any Sunward equipment.

AERIAL WORK PLATFORMS

SUNWARD
INNOVATION LEADS TO VALUE

CE_EU_L2_AWP-2022XXXX_EN_EU

SCISSOR LIFT RANGE





HD SERIES



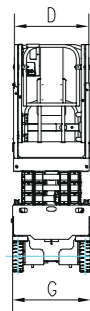
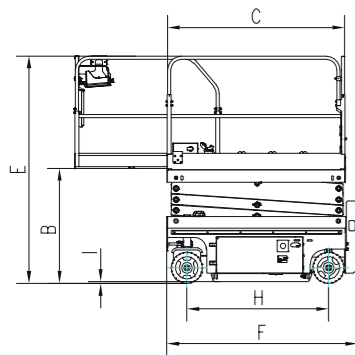
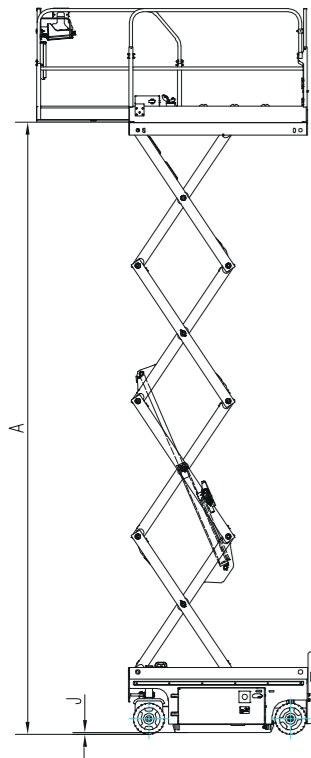
DC SERIES



RT SERIES



		SWSL 0807HD	SWSL 1008HD	SWSL 1212HD	SWSL 1412HD	SWSL 1614HD	SWSL 0607DC	SWSL 0807DC	SWSL 1008DC	SWSL 1212DC	SWSL 1412DC	SWSL 1223RT	SWSL 1623RT	SWSL 2023RT
TYPE	Drive type	Electro-Hydraulic					Electric					Self-propelled Off-road		
	Max. working height*	8 m	10 m	12 m	14 m	15.8 m	6.5 m	8 m	10 m	12 m	14 m	12.2 m	16.5 m	20 m
DIMENSIONS	A Max. platform height	6 m	8 m	10 m	12 m	13.8 m	4.5 m	6 m	8 m	10 m	12 m	10.2 m	14.5 m	18 m
	B Platform height (stowed)	1.05 m	1.26 m	1.36 m	1.49 m	1.53 m	0.95 m	1.05 m	1.26 m	1.36 m	1.49 m	1.72 m	1.93 m	2.14 m
	C Platform length	1.7 m	2.27 m	2.27 m	2.27 m	2.64 m	1.29 m	1.7 m	2.27 m	2.27 m	2.27 m	5.33 m	5.33 m	5.33 m
	Slide-out platform extension deck	0.9 m	0.9 m	0.9 m	0.9 m	0.9 m	0.6 m	0.9 m	0.9 m	0.9 m	0.9 m	1.2 m	1.2 m	1.2 m
	D Platform width	0.74 m	0.81 m	1.15 m	1.15 m	1.15 m	0.7 m	0.74 m	0.81 m	1.15 m	1.15 m	1.9 m	1.9 m	1.9 m
	E Stowed height (rails up)	2.17 m	2.36 m	2.49 m	2.63 m	2.65 m	2.06 m	2.17 m	2.36 m	2.49 m	2.63 m	2.88 m	3.1 m	3.31 m
	Stowed height (rails down)	1.79 m	1.86 m	1.95 m	2.09 m	2.1 m	1.7 m	1.79 m	1.86 m	1.95 m	2.09 m	2.05 m	2.27 m	2.48 m
	F Overall length	1.86 m	2.46 m	2.47 m	2.47 m	2.84 m	1.44 m	1.86 m	2.46 m	2.47 m	2.47 m	5.33 m	5.33 m	5.33 m
	G Overall width	0.76 m	0.83 m	1.17 m	1.17 m	1.41 m	0.76 m	0.76 m	0.83 m	1.17 m	1.17 m	2.39 m	2.39 m	2.39 m
	H Wheelbase	1.38 m	1.87 m	1.87 m	1.87 m	2.24 m	1.05 m	1.38 m	1.87 m	1.87 m	1.87 m	2.88 m	2.88 m	2.88 m
I Ground clearance (stowed)	0.07 m	0.11 m	0.11 m	0.11 m	0.12 m	0.06 m	0.083 m	0.11 m	0.11 m	0.11 m	0.27 m	0.27 m	0.27 m	
J Ground clearance (raised)	0.02 m	0.02 m	0.02 m	0.02 m	0.02 m	0.017 m	0.02 m	0.02 m	0.02 m	0.02 m	/	/	/	
Lift capacity	230 kg	230 kg	320 kg	320 kg	260 kg	240 kg	230 kg	230 kg	320 kg	320 kg	1200 kg	545 kg	545 kg	
Lift capacity (extension deck)	113 kg	113 kg	113 kg	113 kg	113 kg	100 kg	113 kg	113 kg	113 kg	113 kg	227 kg	227 kg	227 kg	
Max. platform occupancy	2	2	2	2	2	2	2	2	2	2	5	5	4	
Drive speed (stowed)	3.0 km/h	3.2 km/h	3.2 km/h	3.2 km/h	3.2 km/h	3.6 km/h	4.5 km/h	4.5 km/h	4.0 km/h	4.0 km/h	10 km/h	7.2 km/h	7.2 km/h	
Drive speed (elevated)	0.8 km/h	0.8 km/h	0.8 km/h	0.8 km/h	0.8 km/h	0.8 km/h	0.8 km/h	0.8 km/h	0.8 km/h	0.8 km/h	2 -> 5 km/h	0.6 km/h	0.6 km/h	
Turning radius (inside)	0 m	0 m	0 m	0 m	0 m	0.4 m	0 m	0 m	0 m	0 m	2.08 m	2.08 m	2.08 m	
Turning radius (outside)	1.67 m	2.1 m	2.2 m	2.2 m	2.5 m	1.6 m	1.67 m	2.1 m	2.2 m	2.2 m	5.3 m	5.3 m	5.3 m	
Raise / lower speed	20 s/27 s	32 s/40 s	55 s/38 s	62 s/42 s	88 s/60 s	20 s/22 s	20 s/27 s	32 s/40 s	55 s/38 s	62 s/42 s	46 s/46 s	55 s/50 s	65 s/59 s	
Max. gradeability**	25%	25%	25%	25%	25%	30%	25%	25%	25%	25%	40%	40%	40%	
Max. allowable working angle (lateral / longitudinal)	1.5°/3°	1.5°/3°	1.5°/3°	1.5°/3°	1.5°/3° EU standard	1.5°/3°	1.5°/3°	1.5°/3°	1.5°/3°	1.5°/3°	4°->8°/5°->10°	2°/3°	2°/3°	
Controls	Proportional	Proportional	Proportional	Proportional	Proportional	Proportional	Proportional	Proportional	Proportional	Proportional	Proportional	Proportional	Proportional	
Drive	Two front wheels	Two front wheels	Two front wheels	Two front wheels	Two front wheels	DC motor rear driven	DC motor front driven	DC motor front driven	DC motor front driven	DC motor front driven	DC motor front driven	Hydraulic Motor	Hydraulic Motor	Hydraulic Motor
Wheel driver	Dual front wheel	Dual front wheel	Dual front wheel	Dual front wheel	Dual front wheel	Dual rear wheel	Dual front wheel	Dual front wheel	Dual front wheel	Dual front wheel	Dual front wheel	Four Wheels	Four Wheels	Four Wheels
Multiple disc brakes	Dual rear wheel	Dual rear wheel	Dual rear wheel	Dual rear wheel	Dual rear wheel	Dual rear wheel	Dual front wheel	Dual front wheel	Dual front wheel	Dual front wheel	Dual front wheel	Multiple disc brakes	Multiple disc brakes	Multiple disc brakes
Tires	305 mm x 100 mm	381 mm x 127 mm	381 mm x 127 mm	381 mm x 127 mm	381 mm x 127 mm	230 mm x 80 mm	323 mm x 100 mm	381 mm x 127 mm	381 mm x 127 mm	381 mm x 127 mm	330 mm x 120-200 mm	330 mm x 120-200 mm	330 mm x 120-200 mm	
Battery	4 x 6 V/225 Ah	4 x 6 V/225 Ah	4 x 6 V/240 Ah	4 x 12 V/300 Ah	4 x 12 V/300 Ah	2 x 12 V/85 Ah	4 x 6 V/210 Ah	4 x 6 V/225 Ah	4 x 6 V/240 Ah	4 x 12 V/300 Ah				
Charger	24 V/30 A	24 V/30 A	24 V/30 A	24 V/30 A	24 V/30 A	24 V/15 A	24 V/30 A	24 V/30 A	24 V/30 A	24 V/30 A				
Weight	1530 kg	2 050 kg	2 940 kg	2 980 kg	3 500 kg	900 kg	1545 kg	2100 kg	2950 kg	3000 kg	7 870 kg	9 200 kg	9 900 kg	
Brand											Kubota	Kubota	Kubota	
Model											V2403-M-DI	V2403-M-DI	V2403-M-DI	
Emission rating											EU Stage V	EU Stage V	EU Stage V	
Gross output (36.5kw @2 600 rpm)											36.5 kW	36.5 kW	36.5 kW	



** Climbing ability is suitable for driving on slopes. Refer to Operator Manual for slope level.

* Working height is equal to Platform height plus 2 m.